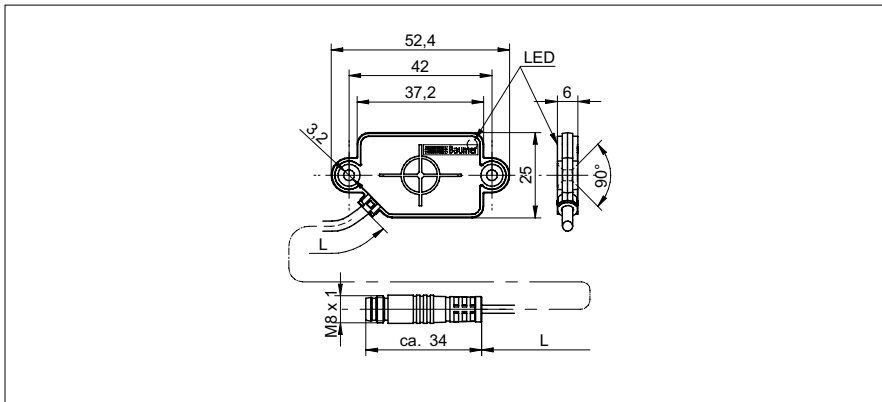


Capacitive proximity sensors

CFDK 25G1125/KS35LN5

dimension drawing



general data

nominal sensing distance S_n	12 mm
mounting type	flush
GND electrode	no
temperature drift	$\pm 20 \%$
sensitivity adjustment	no
output indicator	LED red

electrical data

voltage supply range $+V_s$	10 ... 30 VDC
current consumption max. (no load)	15 mA
output function	active high
output circuit	push-pull
output current	$< 100 \text{ mA}$
voltage drop V_d	$< 3 \text{ VDC}$
switching frequency	$< 35 \text{ Hz}$
short circuit protection	yes
reverse polarity protection	yes

mechanical data

type	rectangular
housing material	PA 12
dimension	25 mm
housing length	52,4 mm
depth	6 mm
connection types	flylead connector M8, L=200 mm

ambient conditions

operating temperature	-25 ... +75 °C
protection class	IP 65

field of application

detection of non-conductive media	yes
fill level detection through container	no
liquids in direct contact	no
object detection / bulk goods	yes

photo



connection diagram

